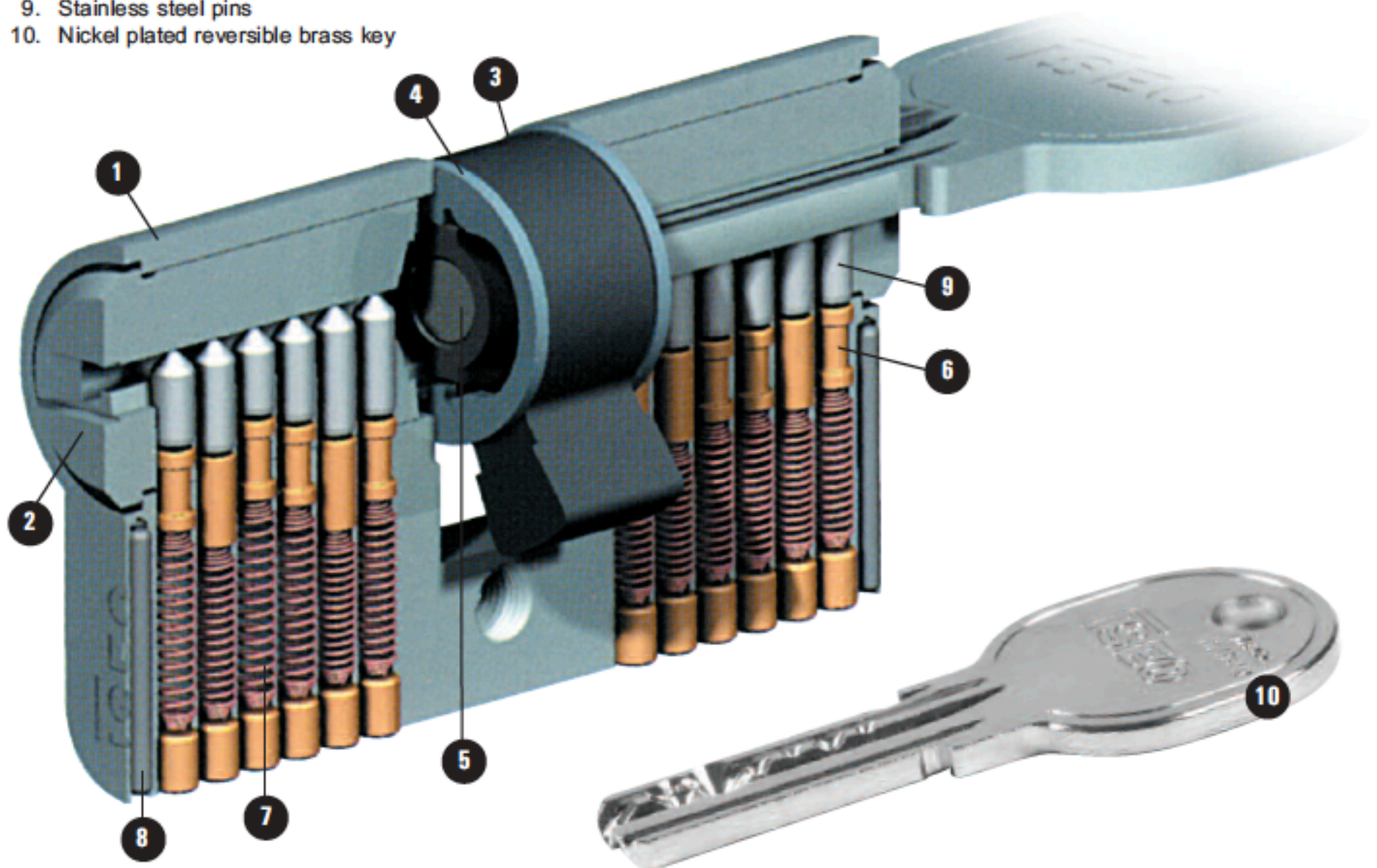


- Manufacturing** ISEO Cylinders are manufactured in Italy using highly automated CNC machinery which enables us to provide a high degree of assurance in dimensional accuracy, and produce a quality product at all times.
- Quality** Our cylinders are tested to a 200,000 cycle test, well above the BS EN1303 requirement.
- Range** An extensive range of sizes are held in our UK facility, and can usually be despatched within 48/72 hours.
- Security**
- Hardened Steel pin protection in the cylinder body.
  - Stainless Steel Pins allow for greater dimensional accuracy and protect against drill attack.
  - 2.85mm thick reversible dimple key.
  - The 6th pin makes it more difficult to pick than a 5 pin cylinder.
  - R6 cylinders are suited for situations where some additional key and cylinder security is required.
- Keying Options** Master Keyed suites are written and produced in the UK, many suites can normally be despatched with 48/72 hours and larger suites within 5 working days.
- Keys** R6 cylinders are offered Keyed to differ (KD), or Keyed Alike (KA), and Master Keyed (MK) Keyed to differ are provided with 3 keys, KA and MK with 2 keys.

1. Brass body
2. Brass plug
3. Steel Cam
4. Circlip
5. Clutch
6. Brass pick resistant drivers
7. Phosphor-bronze driver spring
8. Anti-drill hardened steel pin
9. Stainless steel pins
10. Nickel plated reversible brass key



FD60

**WHERE YOU SEE THIS SYMBOL**

To BS 476 : Part 22 : 1987  
or BS EN 1634-1 2000

Suitable for use on 1 hour timber based fire doors when fitted in conjunction with a fire tested latch or lock