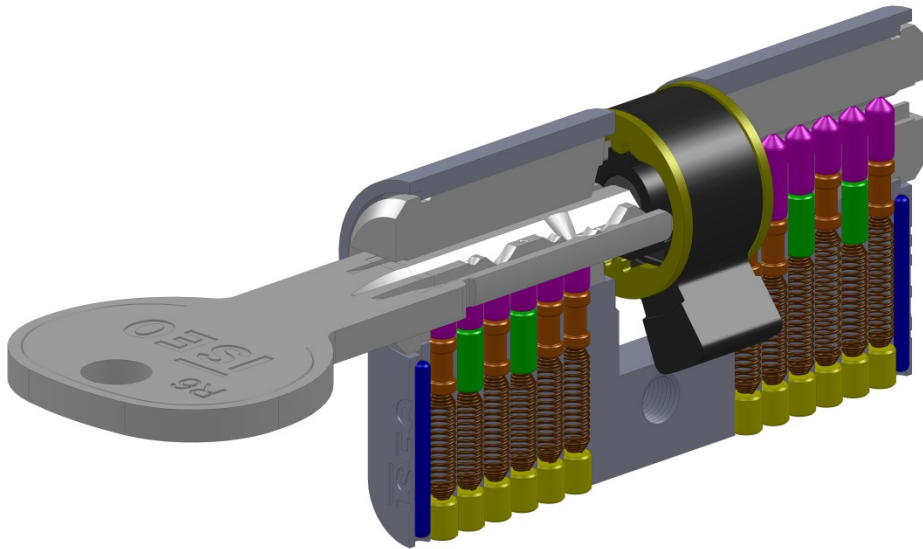




Iseo Master Key Solutions

R6



MASTER KEYING

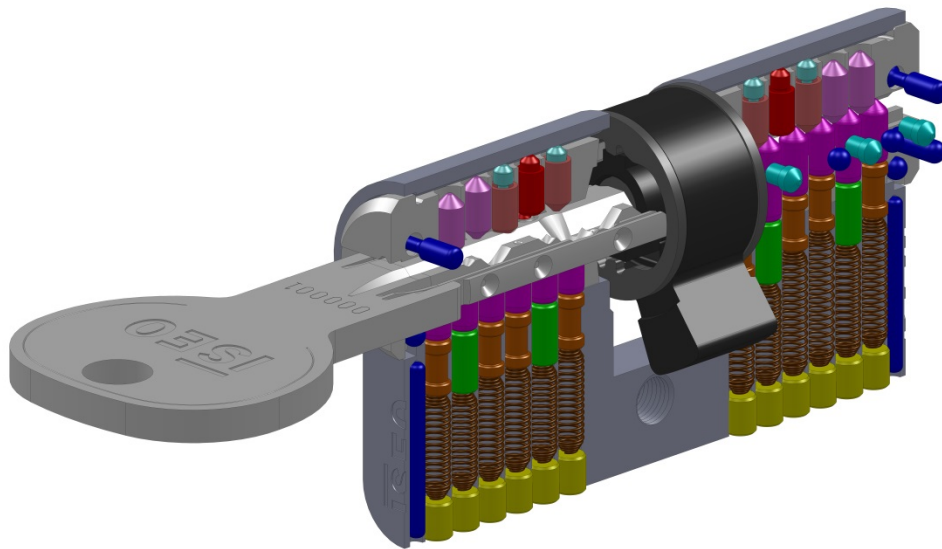
Approximate Master Keying capabilities are as follows:

Simple MK and differs allows for approx. 80 differs under a single Master Key*

It can be possible to divide the master key system into sub groups. This reduces the number of differs available as they have to be split between the sub groups*

*The addition of a common entrance reduces the differ capability in every case above

R50



MASTER KEYING

Approximate Master Keying capabilities are as follows:

Simple MK and differs allows for up to 60000 differs under a single Master Key*

It can be possible to divide the master key system into sub groups. This reduces the number of differs available as they have to be split between the sub groups*



*The addition of a common entrance reduces the differ capability in every case above

KEY SECTIONS AND RESTRICTIONS

F6 EXTRA S.... Has all the same features and master keying capabilities of standard F6 Extra but with the added security features of a sacrificial cut on the body of the cylinder and a strengthening bar across the centre.

R6This is an “open section” key profile. This means that a copy key blank can be purchased through most lock wholesalers and therefore is medium security as keys can be copied without restriction. However this key has a type of “inner restriction ”as it can only be cut by locksmiths who possess the technically advanced key cutting machinery.

In the case of master key suites produced by M. Marcus Ltd, we do restrict their sale and distribution and will not sell master keys or extra cylinders to anyone other than the client who ordered the original suite. However, the supply route can be changed on the production of an authorising letter from the end user/owner of the suite (accompanied by letter head). We do have the ability to engrave this key blank with the customers name and telephone number when ordering a minimum of 500 key blanks and when authorised by management at M.Marcus Ltd. This range of product is supplied to M. Marcus Ltd in fully assembled format by Iseo

KEY SECTIONS AND RESTRICTIONS

R50.... This is a “patented” key profile and cylinder range and is completely restricted and is therefore listed as higher level security. The genuine Iseo blanks will only be supplied to dedicated M.Marcus Ltd /Iseo registered key centres so there is complete control and therefore offers “total restriction” as it is a key profile produced only for the UK market. Again, this key has a type of “added restriction” as it can only be cut by locksmiths who possess the technically advanced key cutting machinery. The cylinder and Key have patent protection until end of 2020.

In the case of master key suites produced by M.Marcus Ltd, we do restrict their sale and distribution and will not sell master keys, differ keys or extra cylinders to anyone other than the client who ordered the original suite. However, the supply route can be changed on the production of an authorising letter from the end user/owner of the suite (accompanied by letter head).

R50 differ cylinders which are NOT part of a master key suite will also be subject to the same restrictions. M. Marcus Ltd keep a record of EVERY R50 differ cylinder. We allocate a unique differ number and issue a key card showing the unique reference. We will only supply additional keys/cylinders KA to an R50 differ number to the client to whom the original order was supplied. The end user may request an amendment to the supply route on production of a letter of authorisation AND the key card.

PLEASE NOTE: We only sell these key blanks to registered Iseo Service Centres. These service centres are allocated a “centre number “ which will automatically be engraved on the blanks as well as name and telephone number. This range of product is only available from Iseo in sub assembled component format so all products are constructed by M.Marcus Ltd.

EN1303 CLASSIFICATIONS

	CATEGORY OF USE	KEY STRENGTH AND CYCLIC DURABILITY	DOOR MASS	FIRE RESISTANCE	SAFETY	CORROSION RESISTANCE AND TEMPERATURE	KEY RELATED SECURITY	ATTACK RESISTANCE	BS EN1303 TS007 1 STAR (KM 544418)	LOSS PREVENTION STANDARD LPS1175	SECURED BY DESIGN	SUITABLE FOR USE ON 30/60 FIRE DOORS TESTED TO BS EN1634-1	MK SUITE PROTECTION	FULL KEY RESTRICTION	PARTIAL KEY RESTRICTION	PATENTED KEY	SACRIFICIAL CUT	STRENGTHENING BAR	AVAILABLE SUB ASSEMBLED	NUMBER OF KEYS PER DIFFER CYLINDER	NUMBER OF KEYS PER MASTER KEYED/KEYED ALIKE CYLINDER	KEY ENGRAVING AVAILABLE
F5	1	6	0	1	0	C	4	0				✓	✓							3	2	
F6 Extra	1	6	0	1	0	C	5	2	✓		✓	✓	✓							3	2	
F6 Extra S	1	6	0	1	0	C	5	2	✓		✓	✓	✓				✓	✓		3	2	
R6	1	6	0	1	0	C	5	2		SR2, 3 & 4		✓	✓		✓					3	2	✓
R11	1	6	0	1	0	C	6	2	✓	SR2, 3, 4, 5 & 6	✓	✓	✓		✓				✓	3	2	✓
R50	1	6	0	1	0	C	6	2	✓	SR2, 3, 4, 5 & 6	✓	✓	✓	✓	N/A	✓			✓	2	2	✓